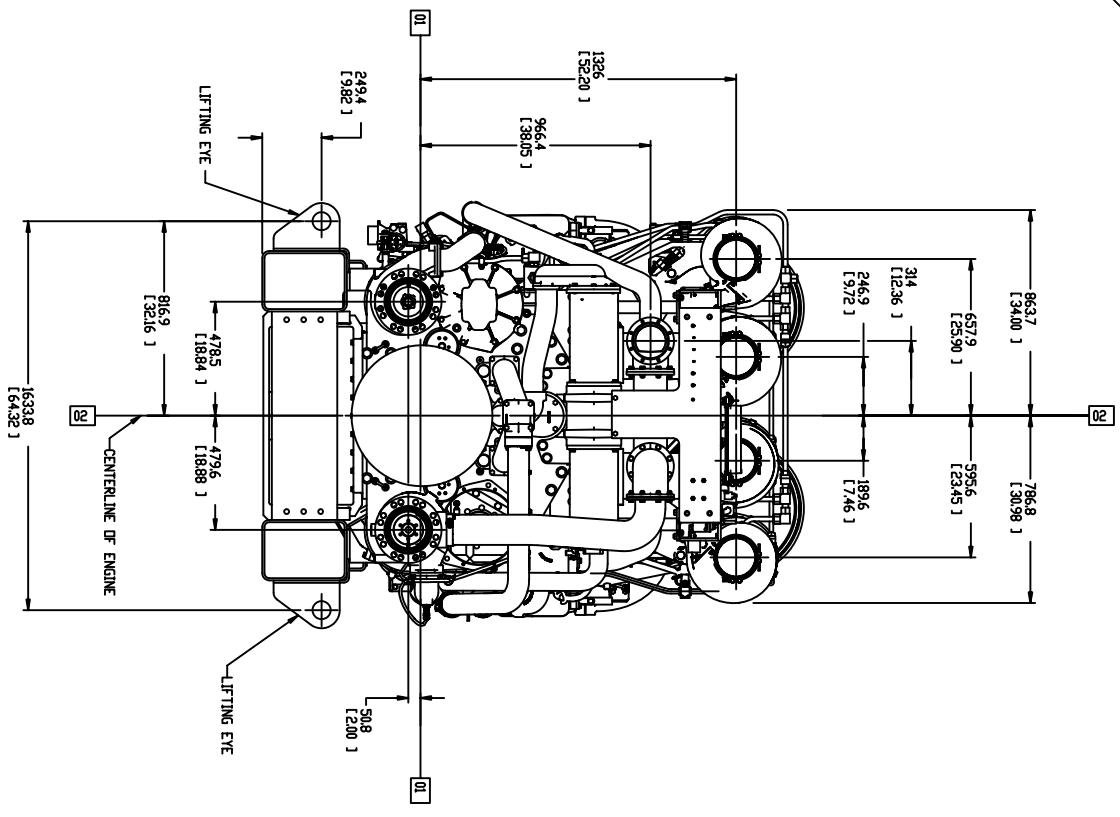
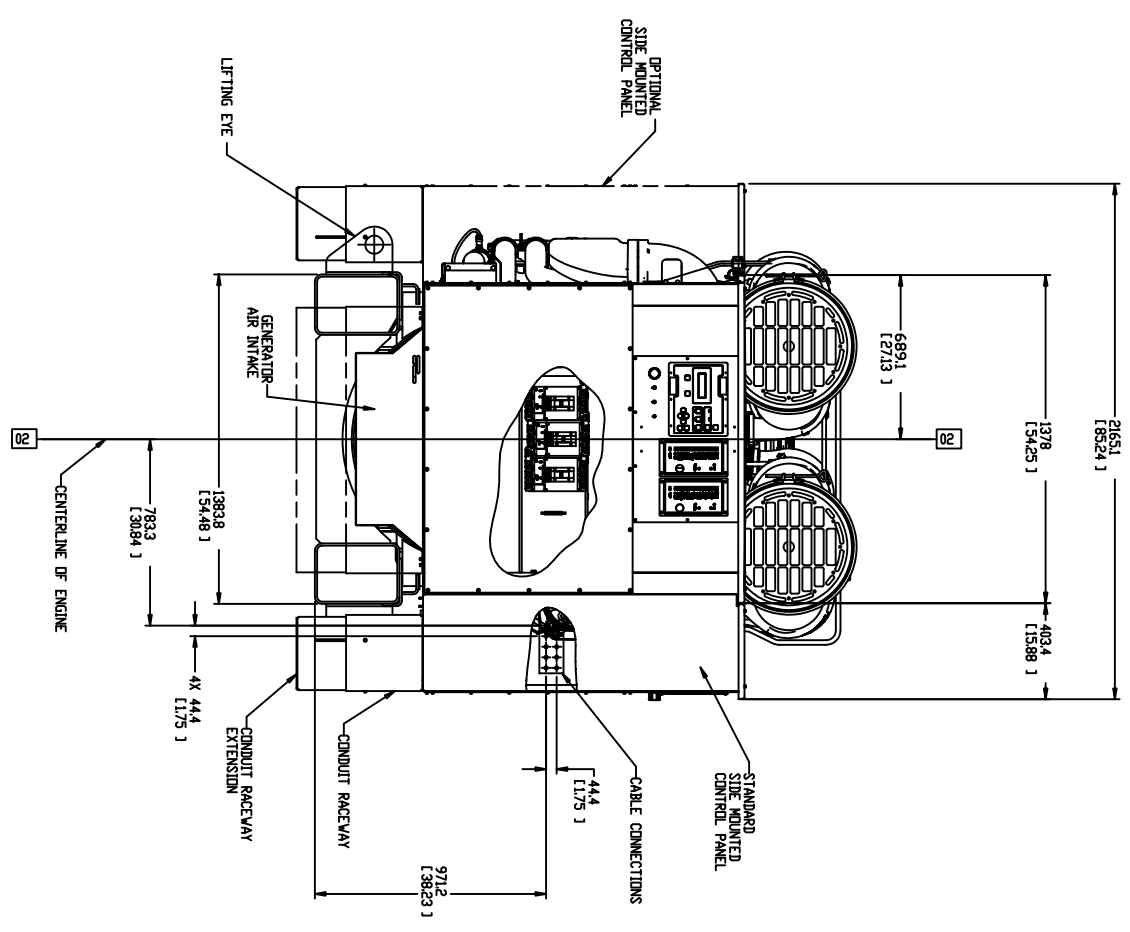


PRELIMINARY DRAWINGS



CAT C175-16 GLOBAL DESIGN PACKAGE GENERATOR SET
DWG# GD C175-16 CH900
REVISION 01
FRONT VIEW



CAT C175-16 GLOBAL DESIGN PACKAGE GENERATOR SET
DWG# GD C175-16 CH900
REVISION 01
REAR VIEW

| GENERATOR FRAME SIZE | DIM (A) |
|----------------------|---------|
| 1820 | 2572 mm |
| 1840 | 2682 mm |
| 1860 | 2792 mm |

PRELIMINARY DRAWINGS

| NO. | REV. | DESCRIPTION |
|-----|------|---|
| 1 | | IE272EC DRAWING |
| 2 | | IE00137 CONFIDENTIALITY |
| 3 | | IE00117 INTER & IOL |
| 4 | | 1. Copyright Confidential Yellow |
| 5 | | Model X Inched |
| 6 | | PLEASE ENGINEER SPECIFIED DIMENSIONS WITH THE AEC BASED |
| 7 | | TYPE SECONDARY |
| 8 | | ISSUED PREVIOUSLY |
| 9 | | THIRD ANGLE PROJECTION |
| 10 | | SHEET 3 OF 5 |
| 11 | | PWD CONTROL V982 |

INSTALLATION-ENGINE PACKAGE GENERATOR SET
GD C175-16
SHEET 3 OF 5
REV 00